



PERFORMANCE CURVES

DAB PUMPS S.p.A.
Via Marco Polo, 14 - 35035 Mestrino (PD), Italy
Tel. +39 049 5125000 - Fax +39 049 5125950
www.dabpumps.com

2023-11-10

Page 2 / 3

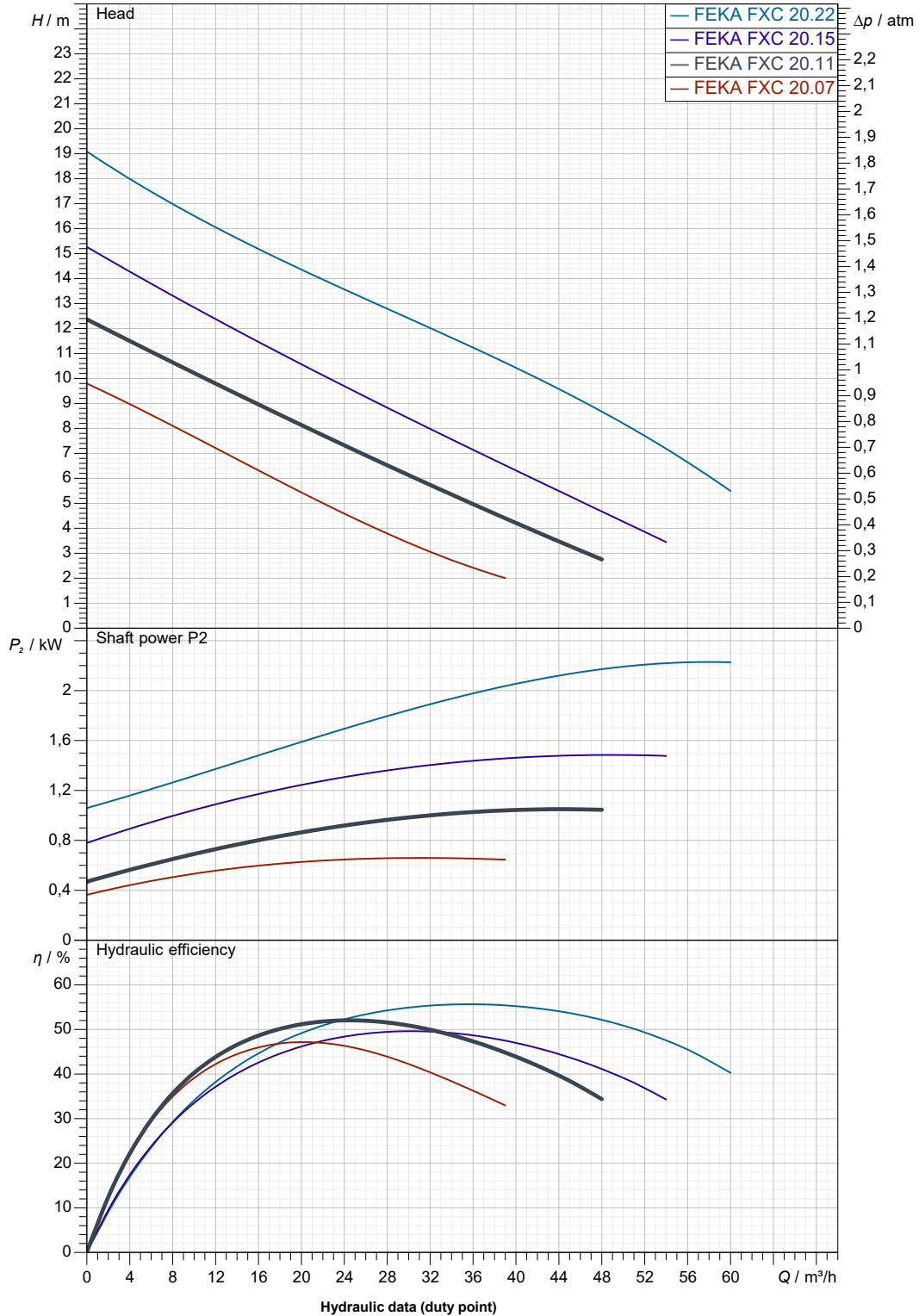
Receiver

From

Company
Reference
Address
Phone
Fax
E-mail

FEKA FXC 20.11 M-A 230 V

Curve tolerance according to ISO 9906



Suction side :

Discharge side :
Rp 2" - DN 50 PN10/6
--

Flow :

Head :

Rated speed :
2.870 1/min

MAIN_PROJECT_TITLE

BUSINESS_PROCESS_ID

OWNER_

ISSUE_DATE
2023-11-10



DIMENSIONAL DRAWING

DAB PUMPS S.p.A.
Via Marco Polo, 14 - 35035 Mestrino (PD), Italy
Tel. +39 049 5125000 - Fax +39 049 5125950
www.dabpumps.com

2023-11-10

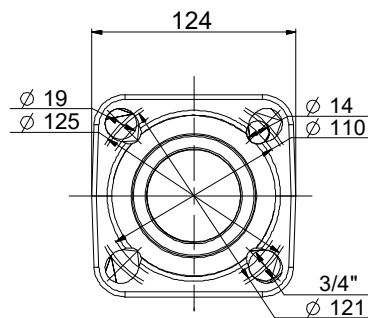
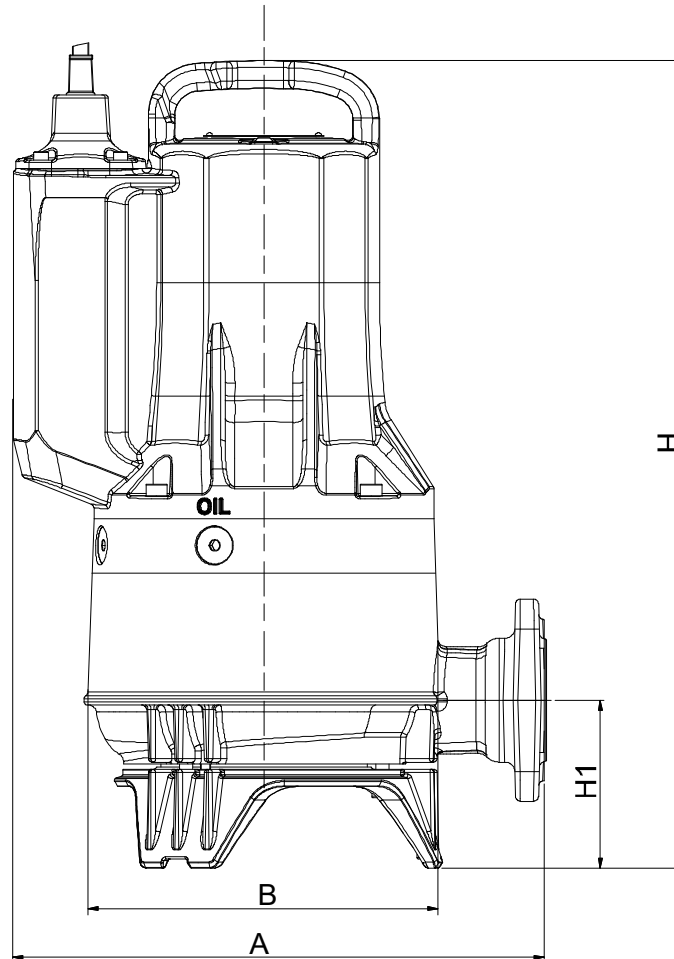
Page 3 / 3

Receiver

From

Company
Reference
Address
Phone
Fax
E-mail

FEKA FXC 20.11 M-A 230 V



Dimensions in mm			Pump connection	
1	A	322		
2	B	210		
3	DN1	50		Suction
4	GAS	Rp 2"		
5	H	468		Discharge
6	H1	103		Rp 2" - DN 50 PN10/6
7				--
8				
9				
10				
11				

MAIN_PROJECT_TITLE	BUSINESS_PROCESS_ID	OWNER	ISSUE_DATE 2023-11-10
--------------------	---------------------	-------	---------------------------------